

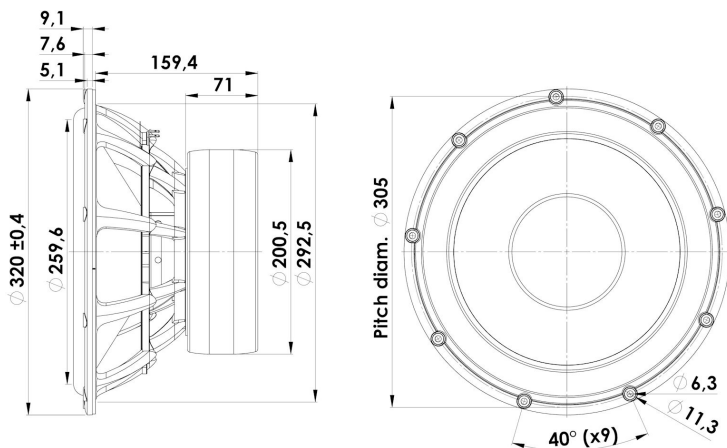


# REVELATOR

## WOOFER

## 32W/4878T11

The 32W/4878T11 woofer is optimized for high sensitivity applications. It offers an impressive 95 dB sensitivity at 2.83V/1m. It features a large 3" motor system with patented Symmetrical Drive, double ferrite magnets and a sandwich paper cone surrounded by a coated foam suspension.



### KEY FEATURES:

- 95 dB Sensitivity @ 2,83V/1m
- Coated foam Surround
- Powerful motor with dual ferrite magnets
- Paper sandwich cone
- Patented Symmetrical Drive motor
- 3" Voice coil, Titanium former and paper reinforced

#### T-S Parameters

|                               |                     |
|-------------------------------|---------------------|
| Resonance frequency [fs]      | 24 Hz               |
| Mechanical Q factor [Qms]     | 4.25                |
| Electrical Q factor [Qes]     | 0.22                |
| Total Q factor [Qts]          | 0.21                |
| Force factor [Bl]             | 14 Tm               |
| Mechanical resistance [Rms]   | 3.3 kg/s            |
| Moving mass [Mms]             | 93 g                |
| Compliance [Cms]              | 0.47 mm/N           |
| Effective diaph. diameter [D] | 260 mm              |
| Effective piston area [Sd]    | 526 cm <sup>2</sup> |
| Equivalent volume [Vas]       | 185 l               |
| Sensitivity (2.83V/1m)        | 95 dB               |
| Ratio Bl/√Re                  | 7.95 N/√W           |
| Ratio fs/Qts                  | 114 Hz              |

#### Notes:

IEC specs. refer to IEC 60268-5 third edition.  
All Scan-Speak products are RoHS compliant.  
Data are subject to change without notice.  
Datasheet updated: March 8, 2019.

#### Electrical Data

|                            |         |
|----------------------------|---------|
| Nominal impedance [Zn]     | 4 Ω     |
| Minimum impedance [Zmin]   | 4 Ω     |
| Maximum impedance [Zo]     | 68 Ω    |
| DC resistance [Re]         | 3.1 Ω   |
| Voice coil inductance [Le] | 0.36 mH |

#### Power Handling

|                                |       |
|--------------------------------|-------|
| 100h RMS noise test (IEC 17.1) | 350 W |
| Long-term max power (IEC 17.3) | 700 W |

#### Voice Coil & Magnet Data

|                     |         |
|---------------------|---------|
| Voice coil diameter | 75 mm   |
| Voice coil height   | 22 mm   |
| Voice coil layers   | 2       |
| Height of gap       | 8 mm    |
| Linear excursion    | ± 7 mm  |
| Max mech. excursion | ± 28 mm |
| Unit weight         | 9.8 kg  |

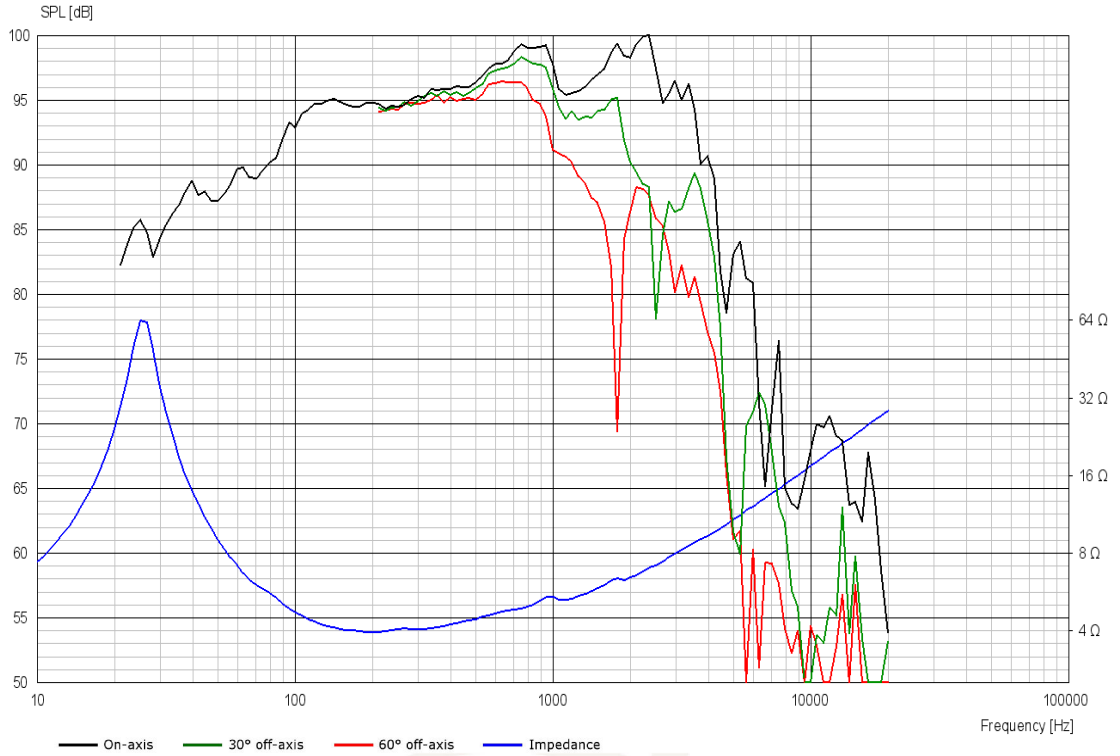




# REVELATOR

## WOOFER

## 32W/4878T11



### Advanced Parameters (Preliminary)



#### Electrical data

|                               |            |
|-------------------------------|------------|
| Resistance [ $R_{E'}$ ]       | - $\Omega$ |
| Free inductance [ $L_{EB}$ ]  | - mH       |
| Bound inductance [ $L_E$ ]    | - mH       |
| Semi-inductance [ $K_E$ ]     | - SH       |
| Shunt resistance [ $R_{SS}$ ] | - $\Omega$ |

#### Mechanical Data

|                                    |        |
|------------------------------------|--------|
| Force Factor [ $BI$ ]              | - Tm   |
| Moving mass [ $M_{MS}$ ]           | - g    |
| Compliance [ $C_{MS}$ ]            | - mm/N |
| Mechanical resistance [ $R_{MS}$ ] | - kg/s |
| Admittance [ $A_{MS}$ ]            | - mm/N |

